

THIS DRAWING IS UNPUBLISHED. RELEASED FOR PUBLICATION, 19 .
 © COPYRIGHT 19 BY AMP INCORPORATED. ALL INTERNATIONAL RIGHTS RESERVED.

LOC	DIST	P	F	ZONE	LTR	DESCRIPTION	DATE	APPD
BD	95				D	ADDED -4, NPR 3769, WAS 91-4621-30-1	10-11-91	-
					E	OBS -1 & -4 PER EC 0020-481-96	10 JAN 97	LB

CABLE SUPPLIED BY CUSTOMER SEE TABLE

STRAIN RELIEF STAPLE (1 SUPPLIED)
 MATERIAL: STEEL
 FINISH: BRIGHT TIN/LEAD OVER NICKEL

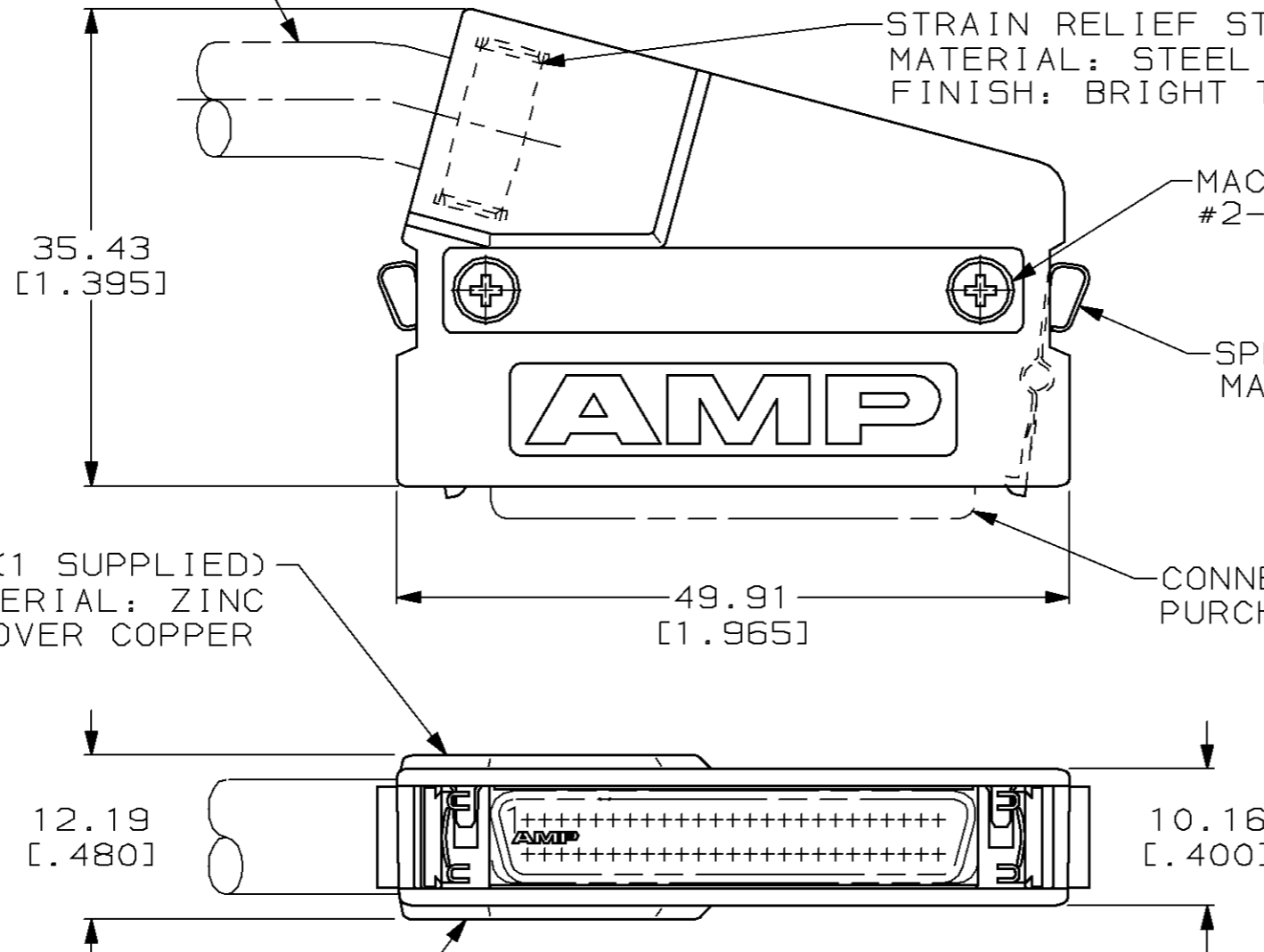
MACHINE SCREW (2 SUPPLIED)
 #2-56 UNC X 6.35 [.250]

SPRING LATCH (2 SUPPLIED)
 MATERIAL: STAINLESS STEEL

CONNECTOR (MUST BE PURCHASED SEPARATELY)

UPPER BACKSHELL (1 SUPPLIED)
 MATERIAL: ZINC
 FINISH: NICKEL OVER COPPER

LOWER BACKSHELL (1 SUPPLIED)
 MATERIAL: ZINC
 FINISH: NICKEL OVER COPPER



PACKAGING	CABLE DIA	PART NO
3	5	6 749202-4
4	2	749202-3
3	2	749202-2
3	1	6 749202-1

- 1 9.02 [.355] MAX CABLE DIAMETER.
- 2 10.16 [.400] MAX CABLE DIAMETER.
- 3 PACKAGED ONE KIT PER BAG.
- 4 BULK PACKAGED.
- 5 12.19 [.480] MAX CABLE DIAMETER.
- 6 OBSOLETE PART NUMBER.

DO NOT SCALE PRINT. UNLESS SPECIFIED DIMENSIONS IN mm [INCHES] TOLERANCES ON: 2 PLC DEC ± - 3 PLC DEC ± 0.38 [.015] ANGLES ± -	DR 12/20/88 M.E. SHIRK	AMP AMP INCORPORATED Harrisburg, Pa. 17105		
	CHK 12/20/88 M.A. MCCAFFREY			
	MATERIAL SEE CALLOUTS	APPD 12/20/88 J.L. BROSCARD	NAME KIT, UNASSEMBLED, 50 POSITION, 75° EXIT, UNKEYED, AMPLIMITE™ .050 Series	
	FINISH SEE CALLOUTS	APPD 12/20/88 C.E. REYNOLDS	PRODUCT SPEC -	APPLICATION SPEC -
	WEIGHT -	SIZE B	FSCM NO 00779	DRAWING NO 749202
		SCALE 2:1	SHEET 1 OF 1	